

TITLE

LM259X Inductor
150 μ Hy .63 ADC

SCHOTT
CORPORATION

1000 PARKERS LAKE ROAD
WAYZATA, MN 55391

AGENCY APPROVAL:
N/A

PART NUMBER
34591

REV E PAGE 1

Old Schott P/N: 67144430

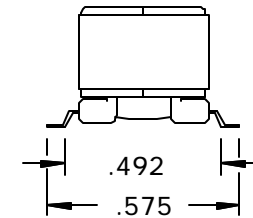
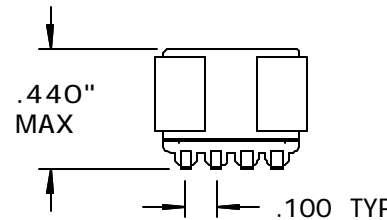
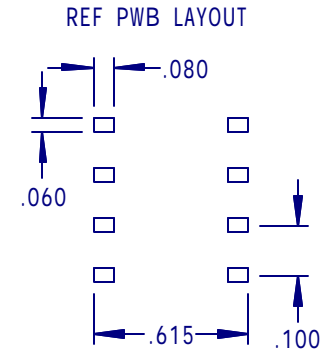
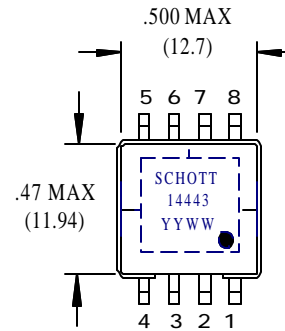
ELECTRICAL CHARACTERISTICS

Specifications at room temperature (ref. 25°C)

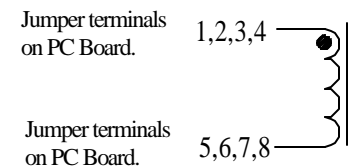
1. INDUCTANCE: @ 10 kHz, 0.1 Vrms,
(1 thru 4 to 5 thru 8) = 150 - 195 μ H
2. DC RESISTANCE:
(1 thru 4 to 5 thru 8) = .18 Ohms Max.
3. SRF: 950 kHz Min.
4. HIPOT: 500 VDC
WINDING TO CORE
2 SEC., 5 mA MAX

GENERAL NOTES:

1. Current rating is the current at which the inductance is a minimum of 90% of the rated value.
2. All pins may not be used; electrical schematic is based on the standard footprint.



NOTE:
COPLANARITY OF .004 MAX
ACROSS ALL LEADS



TOLERANCES UNLESS OTHERWISE NOTED	2 PLACE	3 PLACE	ANGLE
	+ .03	+ .010	+ °